



Mapeproof Primer

**One-component, rapid drying
PVDC based dispersion
primer for suppressing
residual moisture up to
4.5 CM-% (95% R.H.)**



www.blauer-engel.de/uz113



WHERE TO USE

Mapeproof Primer is a one component, ready to use system which dries rapidly to provide a waterproof surface membrane; it impedes the passage of residual construction moisture from affecting subsequent floorcovering installations, therefore allowing early installation of floorcoverings.

Some application examples

- For damp-proofing cement based, moisture-resistant, non-heated substrates where residual moisture content values are up to 4.5 CM-%, before the application of levelling compounds.
- For insulating residual construction moisture where relative humidity values are up to 95%. (ASTM F2170)

TECHNICAL CHARACTERISTICS

Mapeproof Primer is a one component, ready to use polyvinylidene chloride based dispersion primer which dries rapidly to provide a waterproof surface membrane.

Product properties:

- ready for use;
- no mixing is required;
- easy to apply by roller;
- colour pigmented to aid coverage uniformity;
- fast drying;
- low consumption/high coverage;

- no primer or broadcasted sand is required with subsequent levelling compounds;
- complies with ASTM D 1308-87 standard for the resistance to urine;
- can be resealed and stored with no particular precautions for future use;
- not inflammable;
- EMICODE EC1 Plus (very low emission);
- Blauer Engel - DE-UZ 113.

RECOMMENDATIONS

- Apply **Mapeproof Primer** only on internal flooring.
- Do not use over anhydrite or other gypsum/sulphate based substrates.
- Do not use on substrates subject to rising damp.
- Not suitable for use on substrates with underfloor heating.

APPLICATION PROCEDURE

Preparation of the substrate

Substrates must be uniformly sound, free of dust, loose particles, cracks, paint, wax, oil, rust or other products that can interfere with bonding. Screeds and concrete bases over base-ground must be provided with a structural damp proof membrane. The residual moisture content of non-heated cement

Mapeproof Primer



First coat application of Mapeproof Primer



Second coat application of Mapeproof Primer



Self-levelling compound application on Mapeproof Primer

TECHNICAL DATA (typical values)

PRODUCT IDENTITY

Consistency:	fluid liquid
Colour:	green
Density (g/cm ³):	1.05
pH:	6
Dry solids content (%):	47
- EMICODE: - Blauer Engel:	EC1 Plus - very low emission DE-UZ 113 For further information refer to the Safety Data Sheet

APPLICATION DATA (at +23°C - 50% R.H.)

Application temperature range:	from +5°C to +35°C
Drying time:	- approximately 15-30 minutes for the first coat; - for the second coat allow 30 minutes.
Waiting time before applying the adhesive or the smoothing compound:	approximately 2-5 hours, max 12 hours

FINAL PERFORMANCE DATA

Resistance to humidity:	excellent
Resistance to temperature:	good
Water vapour transmission rate (ASTM E96):	<10 g/m ² /24 hr
Resistance to urine:	In compliance with ASTM D 1308-87

screeds must not exceed 4.5 CM-% or 95% R.H.

Cracks have to be filled with a suitable product (such as **Eporip**, **Eporip Turbo** or **Eporip SCR**) before applying **Mapeproof Primer**.

Joints designed to allow movement of the substrate must not be bridged with **Mapeproof Primer**, but sealed with a suitable impervious flexible jointing compound after the application of the membrane.

The concrete or screed substrate must have absorbency. Dense substrates must be prepared mechanically.

Application of the primer

Shake the can to mix the contents immediately prior to use. **Mapeproof Primer** must be applied in a minimum of two coats.

The floor temperature must be above +10°C when the primer is applied.

Mapeproof Primer should be applied over the whole floor.

With particularly low absorbent or finished

screeds with a tight surface, first apply a dilute coat of **Mapeproof Primer** (1:1 with water) and allow to dry (approx. 20 mins). This will ensure that the **Mapeproof Primer** penetrates into the surface of the screed prior to applying the two coats of undiluted **Mapeproof Primer**.

1st Coat: Using a pre-coated roller apply the first coat in one direction ensuring that the material is worked well into the substrate.

2nd Coat: When the 1st coat is touch dry, approximately 15-30 minutes at +20°C, apply the 2nd coat at a right angle to the 1st coat.

It is essential that a pin-hole free coating is achieved and to maintain a consumption of approx. 250 g/m² as a two coat application (coverage: 3 m²/kg).

When applied to very absorbent surfaces, the membrane can be absorbed into the substrate leaving a subdued shine. In such instances or where pinholes and weak spots are evident, a further application will be required.

After complete drying of the primer, smoothing compounds from the MAPEI range can be applied. The drying times

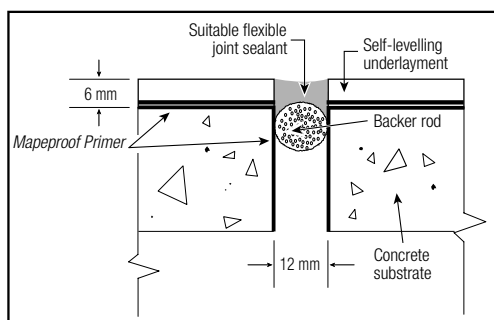
vary depending on the absorbency of the substrate and the room climatic conditions (temperature and humidity) between 2 and 5 hours.

Apply the appropriate MAPEI smoothing compound within 12 hours of the curing of **Mapeproof Primer** to provide an absorbent surface suitable for the application of adhesives.

If **Mapeproof Primer** is not covered within 12 hours of curing, a further coat must be applied and allowed to dry before proceeding with the application of the skimcoat.

For expansion, movement and isolation joint treatment

See the following diagram.



Cleaning

While still wet, **Mapeproof Primer** can be cleaned from floors or wall coverings, tools, hands and clothing with water. When dry, use alcohol or **Pulicol 2000**.

CONSUMPTION

Approx. 60-70 g/m² with dilution 1:1.
Approx. 120-130 g/m² undiluted, according to the absorbency of the substrate (approx. 250 g/m² as a two coats application).

PACKAGING

Mapeproof Primer is available in 10 kg plastic drums.

STORAGE

Under normal conditions **Mapeproof Primer** is stable for at least 12 months in its original sealed packaging. Protect from frost.

SAFETY INSTRUCTIONS FOR PREPARATION AND APPLICATION

For further and complete information about the safe use of our product please refer to the latest version of our Safety Data Sheet available for download from our website at www.mapei.com.au.

Keep out of reach of children.
Ensure good ventilation during and after

application and drying. Do not eat, drink or smoke when using this product. In case of contact with eyes or skin rinse immediately with plenty of water. Do not allow product to reach sewage system, water course or soil. Clean tools with soap and water immediately after use. Give only empty containers to recycling. Dried product residues may be disposed of as domestic waste.

The product contains: BIT and CIT/MIT (3:1). For information for allergic people as well as the Technical Data Sheet, please call at +61 7 3276 5000.

The product contains: water, binders, additive, plasticizer, pigment, preservatives (VdI-RL 01/ June 2018).

PRODUCT FOR PROFESSIONAL USE.

WARNING

Although the technical details and recommendations contained in this product data sheet correspond to the best of our knowledge and experience, all the above information must, in every case, be taken as merely indicative and subject to confirmation after long-term practical application; for this reason, anyone who intends to use the product must ensure beforehand that it is suitable for the envisaged application. In every case, the user alone is fully responsible for any consequences deriving from the use of the product.

Please refer to the current version of the **Technical Data Sheet**, available from our website www.mapei.com.au.

LEGAL NOTICE

The contents of this Technical Data Sheet ("TDS") may be copied into another project-related document, but the resulting document shall not supplement or replace requirements per the TDS in force at the time of the MAPEI product installation. The most up-to-date TDS can be downloaded from our website www.mapei.com.au.

ANY ALTERATION TO THE WORDING OR REQUIREMENTS CONTAINED OR DERIVED FROM THIS TDS EXCLUDES THE RESPONSIBILITY OF MAPEI.



This symbol is used to identify Mapei products which give off a low level of volatile organic compounds (VOC) as certified by GEV (Gesellschaft Emissionskontrollierte Verlegewerkstoffe, Klebstoffe und Bauprodukte e.V.), an international organisation for controlling the level of emissions from products used for floors.

All relevant references for the product are available upon request and from www.mapei.com.au

Mapeproof Primer



Any reproduction of texts, photos and illustrations published here is prohibited and subject to prosecution

Mapei Australia Pty. Ltd

180 Viking Drive Wacol Qld 4076

Tel. +61-7-3276 5000 - Fax. +61-7-3276 5076

Website: www.mapei.com.au - Email: sales@mapei.com.au

Manufactured in Brisbane - Australia

2957-05-2021 (AUS)



BUILDING THE FUTURE