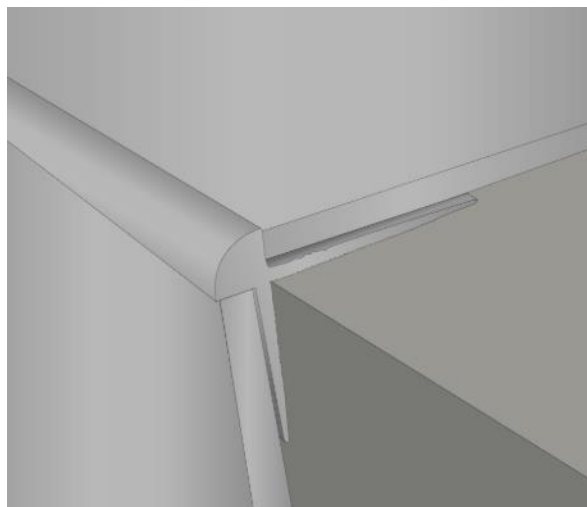
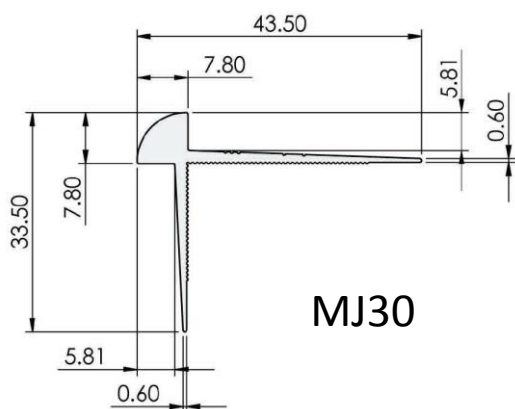
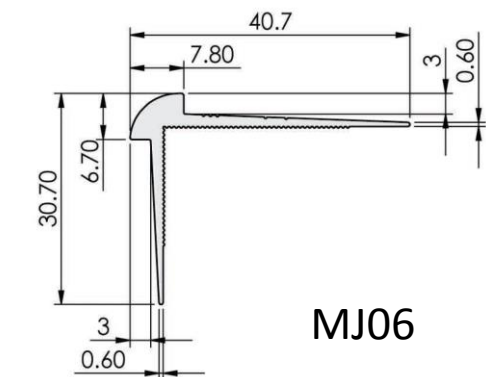


# VINYL LANDING EDGE – MJ06 & MJ30

- ✓ Landing edge for Vinyl Plank
- ✓ Supplied in 3.66m lengths
- ✓ Available in Silver, Black and Bronze anodised finish
- ✓ MJ06 – 3mm profile
- ✓ MJ30 – 6mm profile



CODE	DESCRIPTION	PK QTY
MJ06 / SI	3MM VINYL LANDING EDGE SILVER	10
MJ06 / BL	3MM VINYL LANDING EDGE BLACK	10
MJ06 / BR	3MM VINYL LANDING EDGE BRONZE	10
MJ30 / SI	6MM VINYL LANDING EDGE SILVER	10
MJ30 / BL	6MM VINYL LANDING EDGE BLACK	10
MJ30 / BR	6MM VINYL LANDING EDGE BRONZE	10

## Installation instructions

Ensure surface is levelled, clean and smooth prior to fixation. Cut to required length. Secure in place by using MJS GF400 construction adhesive. Can be drilled and countersunk for screw fixing if additional strength is required.

**Safety statement:** When cutting or drilling aluminium we recommend the use of safety glasses and gloves.

